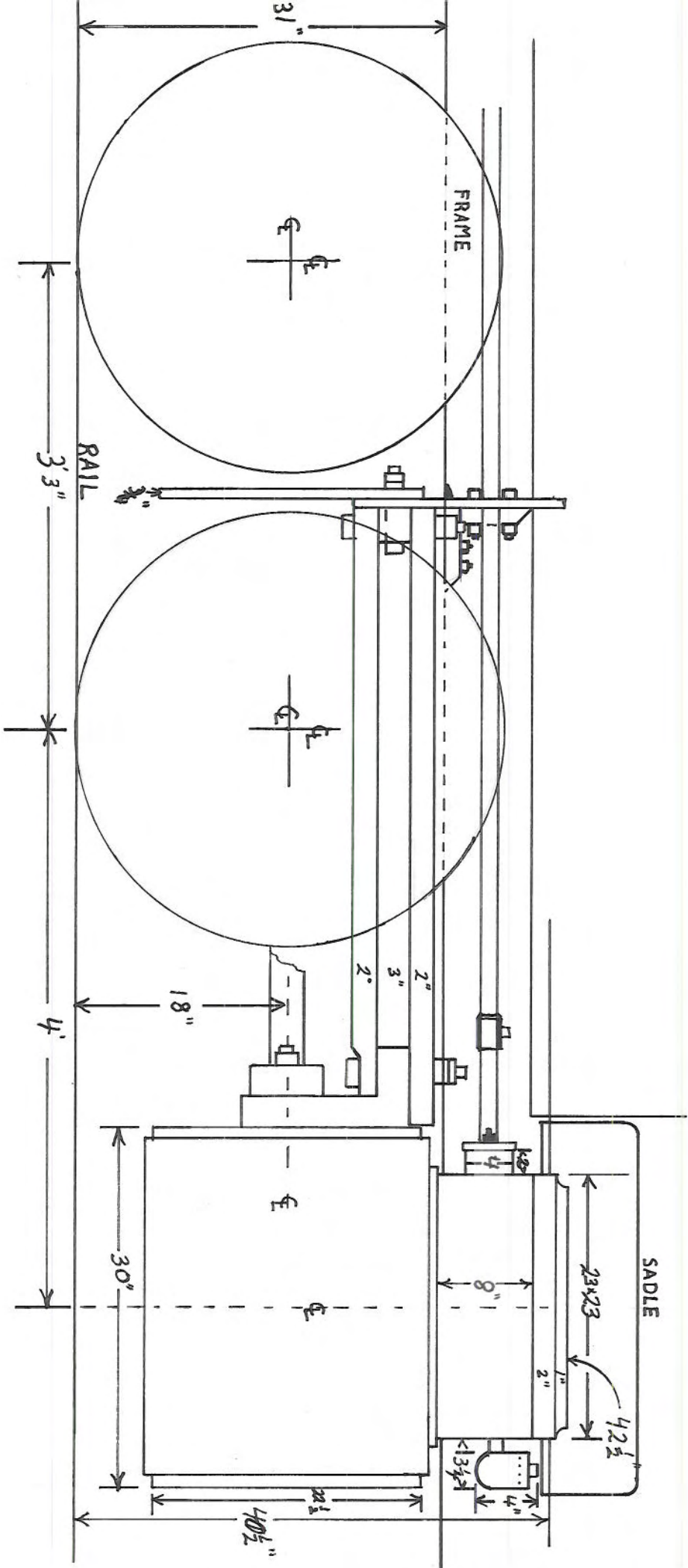


Modeling Notes for Rio Grand Southern C-17 #42

Scale: 1 inch = 1 Foot

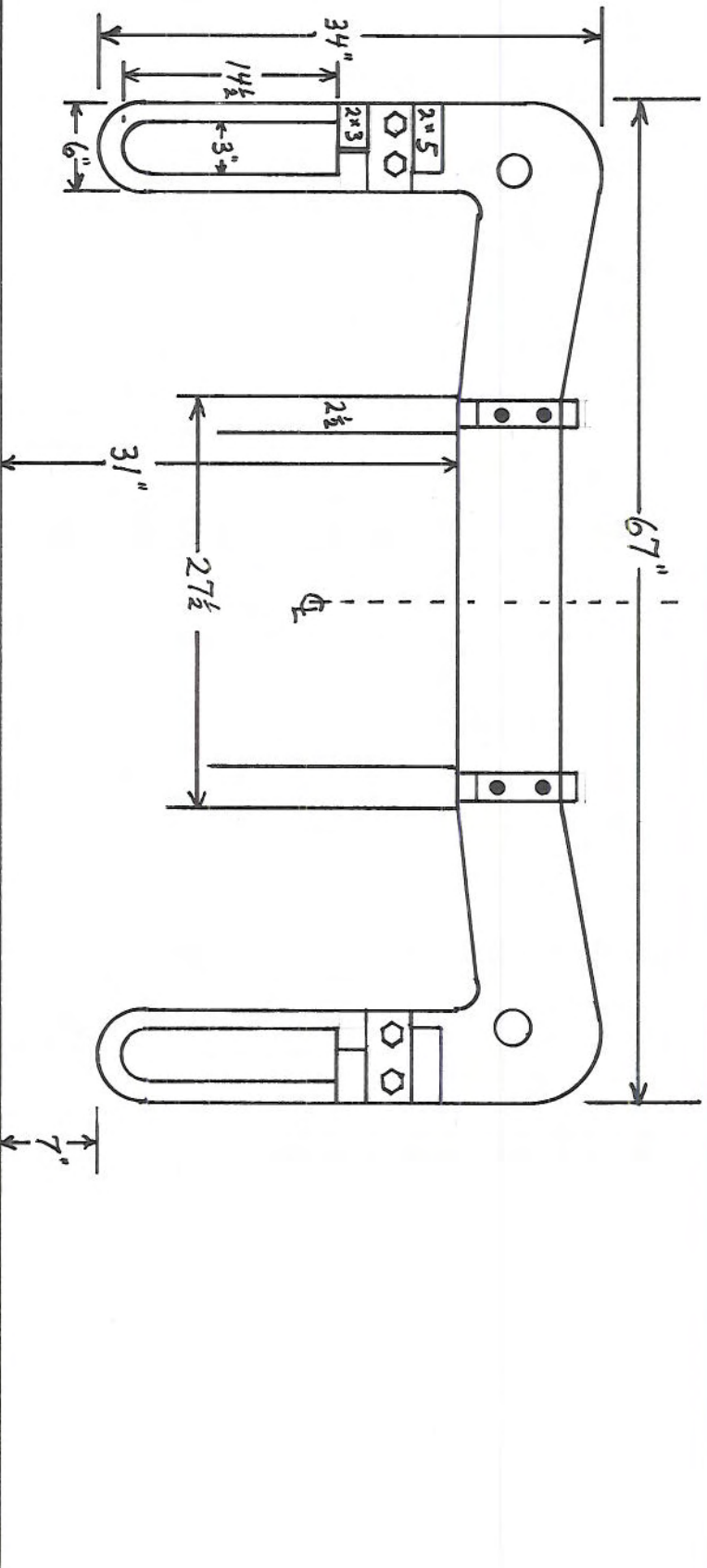
STEAM CHEST, VALVE STEM, GUIDES, CYLINDER, AND GUIDE YOKE



Modeling Notes for Rio Grand Southern C-17 #42

Scale: 1 inch = 1 Foot

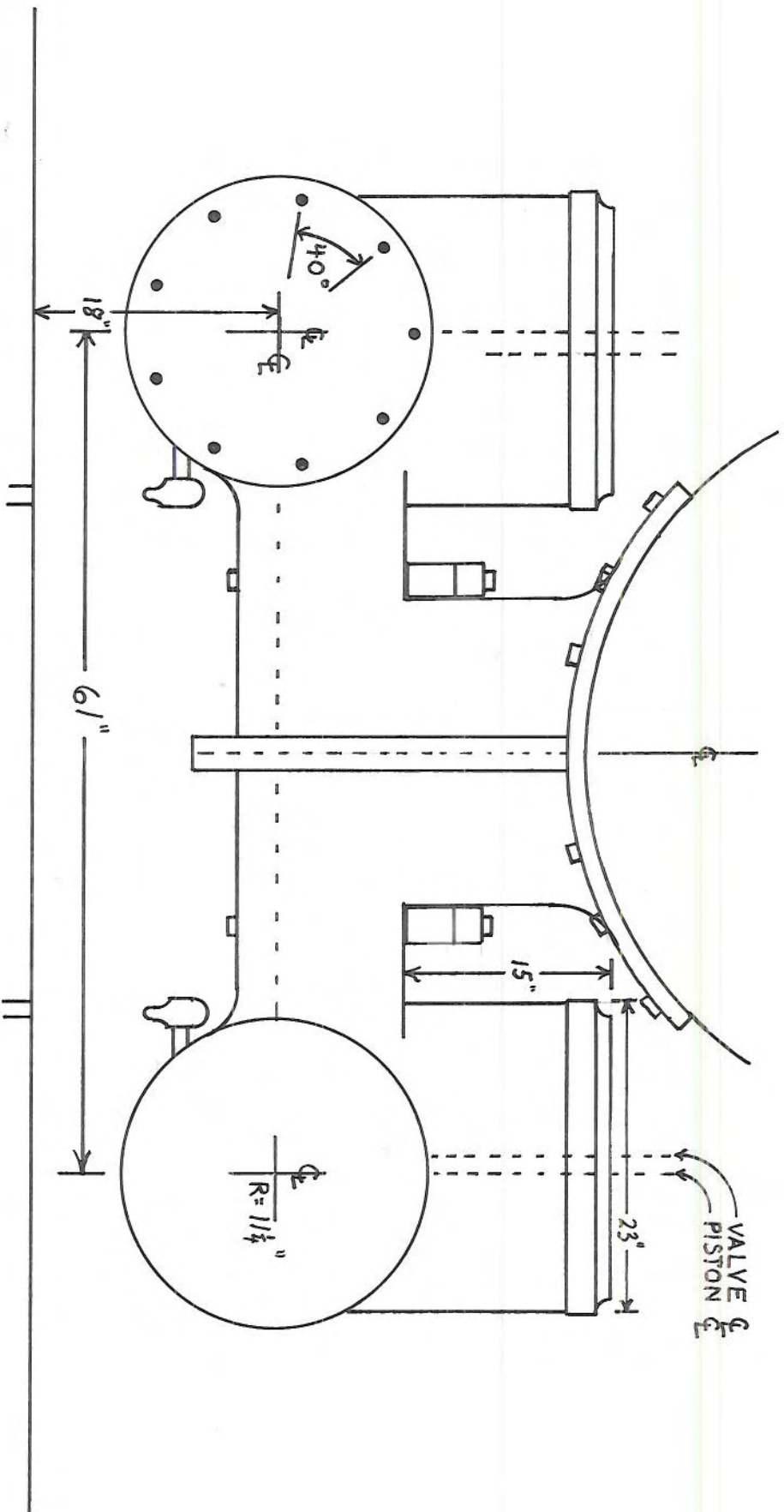
GUIDE YOKE



Modeling Notes for Rio Grand Southern C-17 #42

Scale: 1 inch = 1 Foot

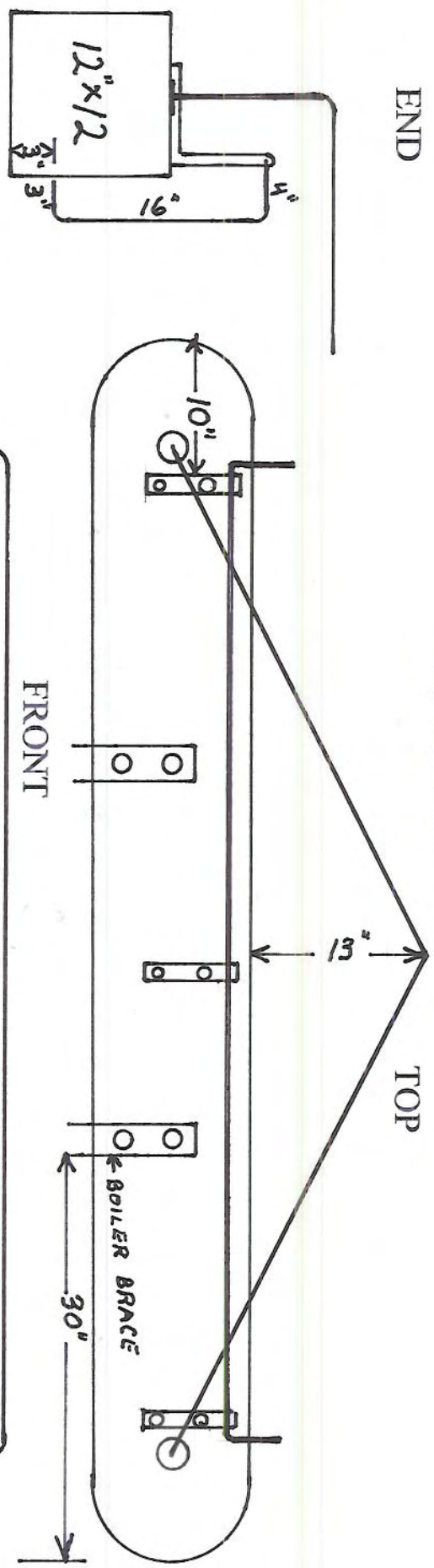
CYLINDERS AND BOILER SADDLE



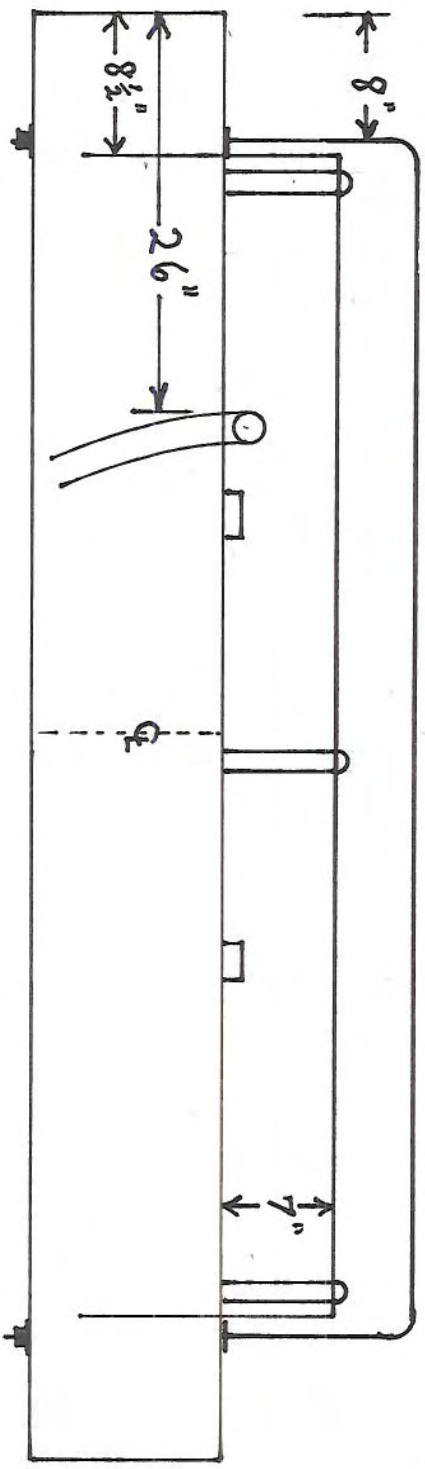
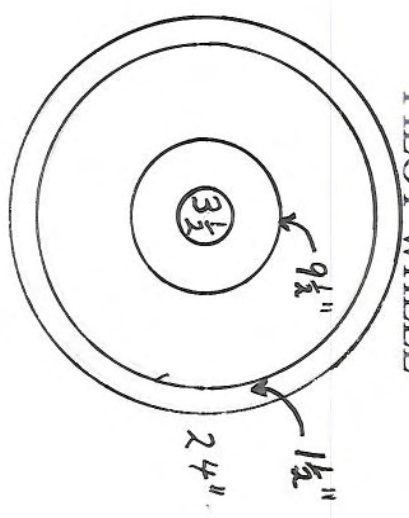
Modeling Notes for Rio Grand Southern C-17 #42

Scale: 1 inch = 1 Foot

PILOT BEAM



PILOT WHEEL



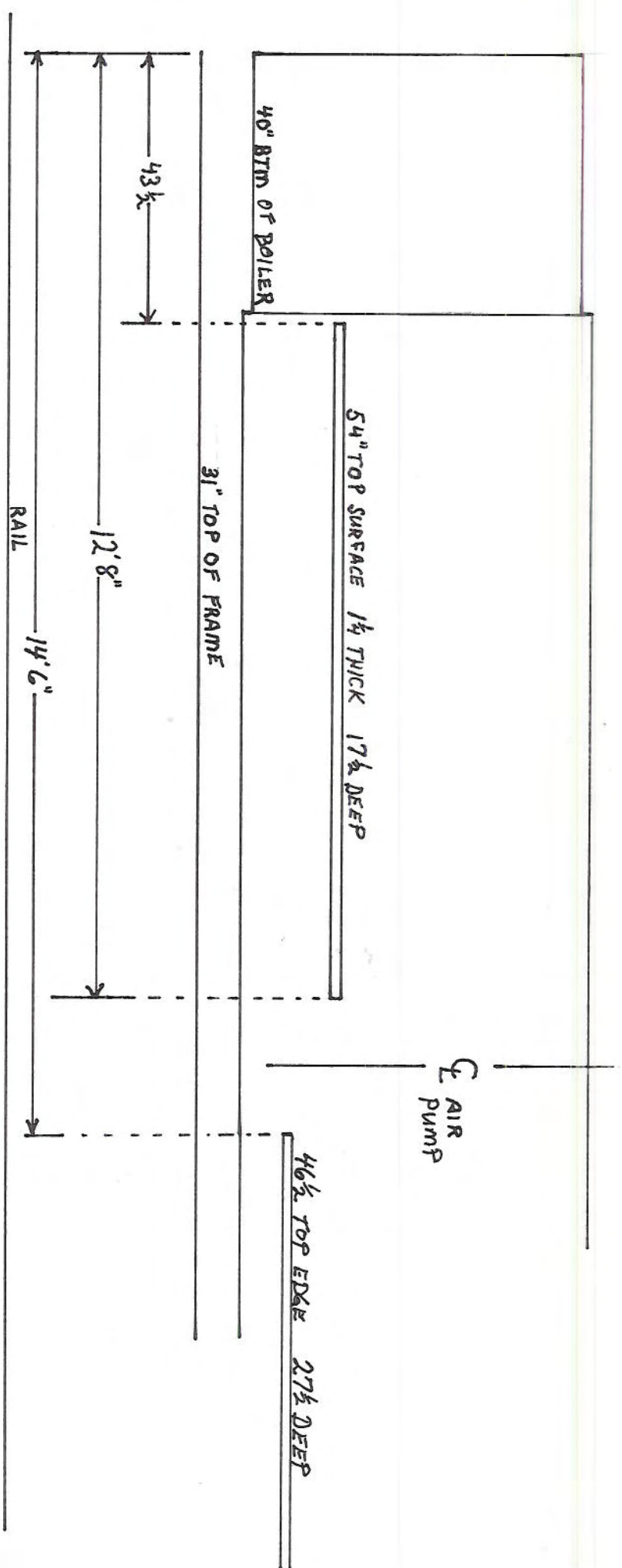
DRIVE WHEEL NOTE:

Drive wheel hub counter weights on all drivers stick out 1 1/2 inches from the tire rims.

Modeling Notes for Rio Grand Southern C-17 #42

Scale: 1/2 inch = 1 Foot

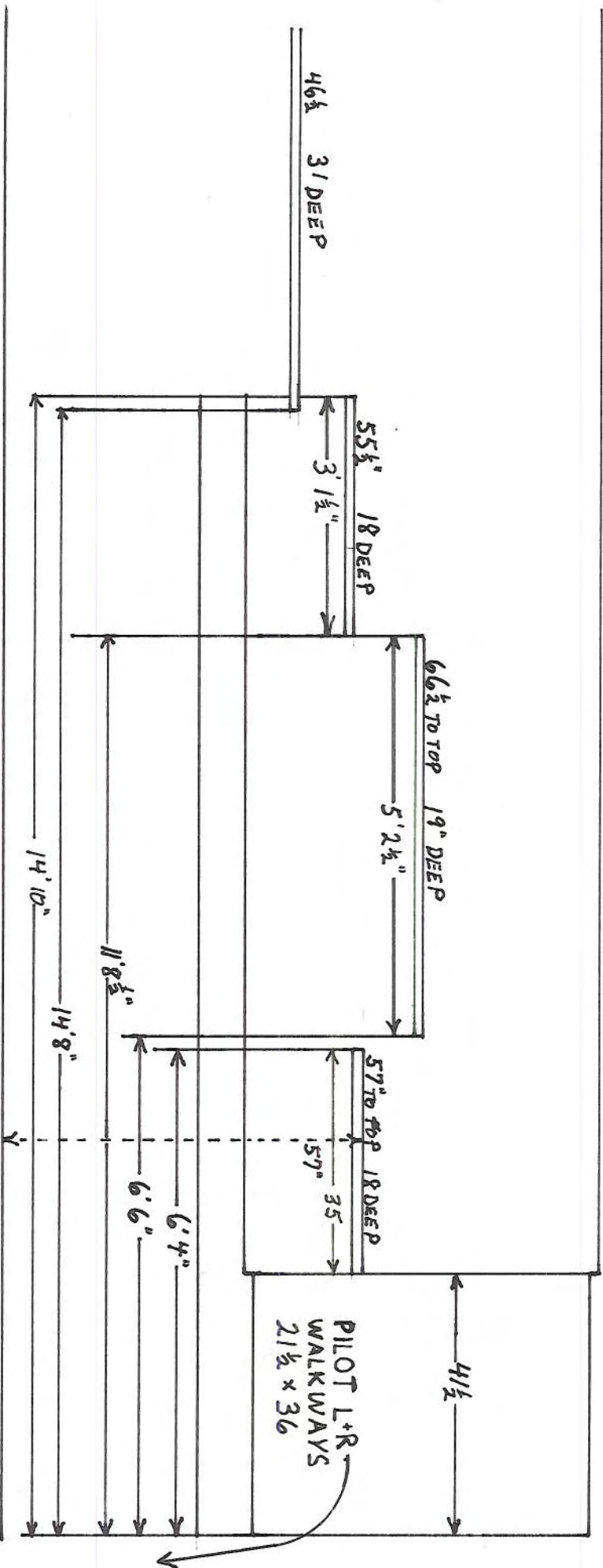
BOILER AND RUNNING BOARDS LEFT SIDE



Modeling Notes for Rio Grand Southern C-17 #42

Scale: 1/2 inch = 1 Foot

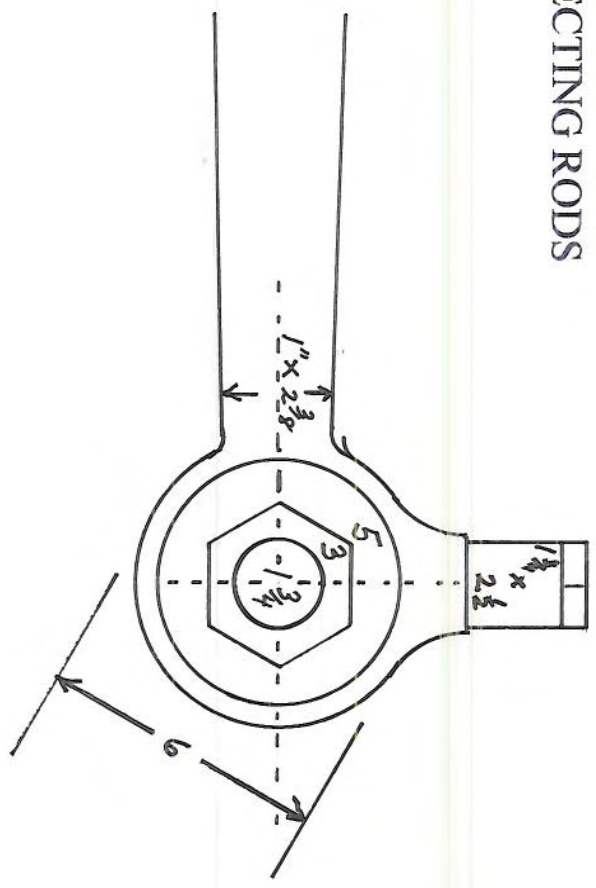
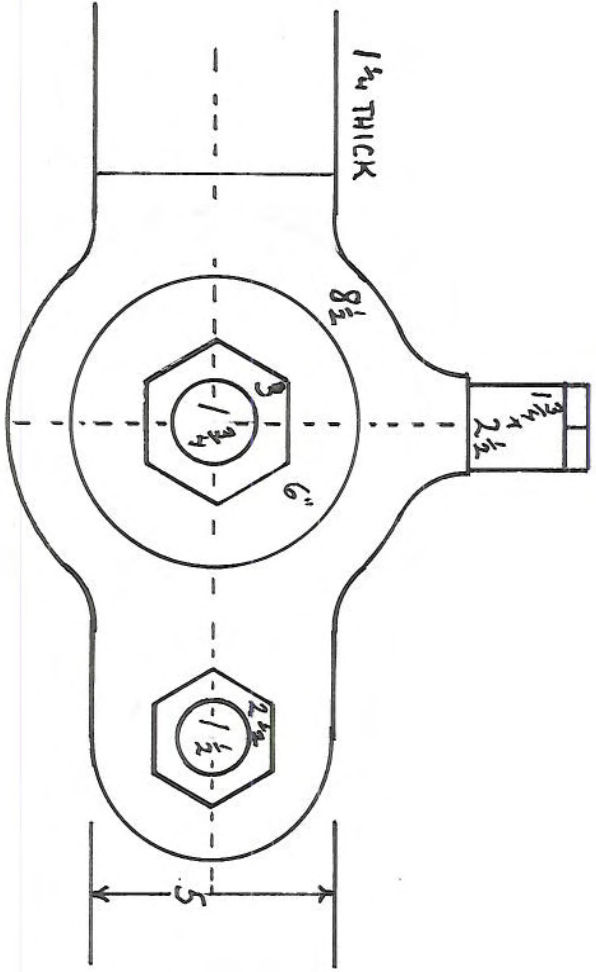
BOILER AND RUNNING BOARDS RIGHT SIDE



Modeling Notes for Rio Grand Southern C-17 #42

Scale: 3 inches = 1 Foot

MAIN ROD AND CONNECTING RODS



Modeling Notes for Rio Grand Southern C-17 #42

Scale: 1 inch = 1 Foot

FIREBOX DETAILS

